

Для заказа перейдите по ссылке: [honeywell-trade.ru](http://honeywell-trade.ru)

Или позвоните по телефонам: 8 800 333-22-13; +7 (495) 23-23-407

## M436A/M836A,B Damper Motors

### PRODUCT DATA



### FEATURES

- Motors provide two-position zone control.
- Used to operate outdoor air dampers for combustion or makeup air, changeover dampers for heating and cooling systems, minimum position dampers for ventilation and similar applications.
- Damper motors have an internal spdt switch for controlling auxiliary equipment, additional motors, or to provide a burner interlock switch.
- M436 Damper Motors require 120 or 240 Vac, 60 Hz power; M836 Damper Motors require 24 Vac, 60 Hz power.
- All models are supplied with a case and cover.
- Spring returns motor to start position in event of power interruption or failure.
- Hexagonal output shafts on both ends of motor with rotational direction stamped on motor case.
- M436A and M836A equipped with thermal breaker for overload protection during lifting stroke or when motor stalls.
- M836A Damper Motor with 128499 Bracket directly replaces M87A Damper Motor.

### GENERAL

M436A/M836A,B Damper Motors are spring return (SR) motors used for residential and light commercial applications in Series 40 and Series 80 circuits.

### Contents

General .....	1
Features .....	1
Specifications .....	2
Ordering Information .....	2
Installation .....	4
Adjustment and Checkout .....	6



## SPECIFICATIONS

### IMPORTANT

The specifications given in this publication do not include normal manufacturing tolerances. Therefore, an individual unit may not exactly match the listed specifications. Also, this product is tested and calibrated under closely controlled conditions and some minor differences in performance can be expected if those conditions are changed.

### TRADELINE® Models:

TRADELINE® models are selected and packaged to provide ease of stocking, ease of handling, and maximum replacement value. TRADELINE® model specifications are the same as those of the standard models except as noted below.

### TRADELINE® Models Available:

M436A Damper Motor: 120 or 240 Vac, 60 Hz.  
M836A,B Damper Motors: 24 Vac, 60 Hz.

### Accessories Included:

126809 Mounting Bracket  
128336 Mounting Bracket

Bag Assembly containing drive bushings, adapter and coupling necessary for crank arm drive application.

### Additional Features:

TRADELINE® pack with cross reference label and instruction sheet.

### Standard Models (See Table 1):

M436A Damper Motor: 120 or 240 Vac spring return motor for use with two-wire thermostats or other spst controllers. Includes internal adjustable spdt switch for controlling auxiliary equipment.

M836A Damper Motor: 24 Vac spring return motor for use with spst controllers without heat anticipation. Includes internal adjustable spdt switch for controlling auxiliary equipment.

M836B Damper Motor: 24 Vac spring return motor for use with spst controllers. If circuit has thermostat heat anticipation, set the anticipator at 0.75A. Includes internal adjustable spdt switch for controlling auxiliary equipment.

Table 1. M436/M836 standard models.

Model Number	Voltage (Vac)	Nominal Current (amperes)		Nominal Power (watts)		Maximum Load Torque (lb-in.)	Break-away Torque <sup>a</sup> (lb-in.)	Opening Time <sup>b</sup> (sec)	Closing Time <sup>b</sup> (sec)	Damper Blade Area (sq ft)
		Opening	Holding	Opening	Holding					
M436A	120	0.37	0.12	27.0	8.5	20	30	30 (nominal)	25 (nominal)	13
	240	0.19	0.06	27.0	8.5					
M836A	24	1.85	0.6	27.0	8.5	20	30	30 (nominal)	25 (nominal)	13
M836B	24	1.34	0.73	20.3	11.2	15	30	25 (nominal)	25 (nominal)	10

<sup>a</sup> Breakaway torque is available to overcome an occasionally frozen or seized damper or valve. *The motor must not be used continuously at this rating.*

<sup>b</sup> 40 sec maximum.

## ORDERING INFORMATION

When purchasing replacement and modernization products from your TRADELINE® wholesaler or distributor, refer to the TRADELINE® Catalog or price sheets for complete ordering number, or specify:

1. Model number.
2. Application.

If you have additional questions, need further information, or would like to comment on our products or services, please write or phone:

1. Your local Honeywell Home and Building Control Sales Office (check white pages of your phone directory).
2. Home and Building Control Customer Relations  
Honeywell, 1885 Douglas Drive North  
Minneapolis, Minnesota 55422-4386

In Canada—Honeywell Limited/Limitée, 35 Dynamic Drive, Scarborough, Ontario M1V 4Z9. International Sales and Service offices in all principal cities of the world.

**Ambient Temperature Rating:**  
32° to 125°F (0° to 52°C).

**Finish:**  
Gray.

**Dimensions:**  
See Fig. 1.

**Approvals:**  
Underwriters Laboratories Inc. Listed (M436A, M836A):  
File No. E4436, Guide No. XAPX.

**Auxiliary Switch Ratings (In Amperes): See Table 2.**  
Pilot Duty: 40 VA at 120 or 240 Vac.

**Table 2. Auxiliary switch ratings (in amperes).**

Power	120 Vac	240 Vac
Full Load	7.2	3.6
Locked Rotor	43.2	21.6

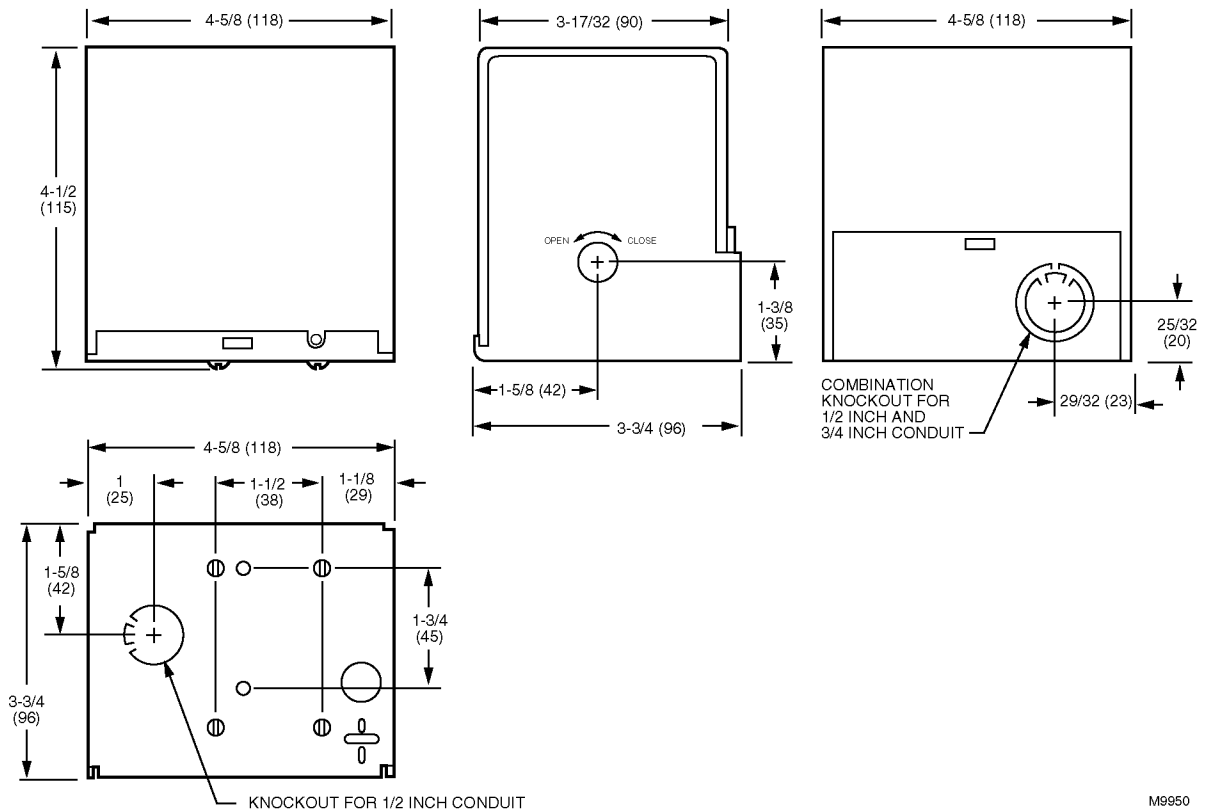
**Auxiliary Switch Action:**  
Spdt, normally open (R-B) contacts close during the power stroke and open during the return stroke. Can be adjusted to operate at any point between 5 and 70 degrees of motor stroke.

**Angular Stroke:**  
75 degrees.

**Weight:**  
4 lb, 10 oz (2.1 kg).

**Optional Specifications:**  
M436 with crank arm.  
M436A Damper Motor, 50 Hz for international applications. Models for 220 or 240 Vac, with 50 second opening stroke, 25 second closing stroke. Includes ground and cover screws and 7640JL Bag Assembly.  
M836A Damper Motor, 50 Hz for international applications. Model is for 24 Vac, with 50 second opening stroke and 25 second closing stroke. Includes ground and cover screws and 7640JL Bag Assembly.

**Accessories:**  
16254AC Bag Assembly, includes 128499 Mounting Bracket and screws (see Fig. 2 and 6).  
7640JE Bag Assembly, includes drive bushings, adapter, and coupling for direct drive (see Fig. 4 and 7).  
7640JL Bag Assembly, includes clamp and crank arm lever for crank arm drive (see Fig. 5 and 6).  
7640JM Bag Assembly, includes 126809 Mounting Bracket and screws (see Fig. 3, 4 and 7).  
7640JN Bag Assembly, includes 128336 Mounting Bracket and screws (see Fig. 2 and 6).  
4074BRU Bag Assembly, includes extension adapter and screws for mounting Q607 Auxiliary Switch to M436A Damper Motor.  
Q298B Linkage, includes damper crank arms, bushings, 1/4 in. (6.5 mm) and ball joint assemblies (see Fig. 6).



**Fig. 1. M436 and M836 Damper Motors dimensions in in. (mm).**

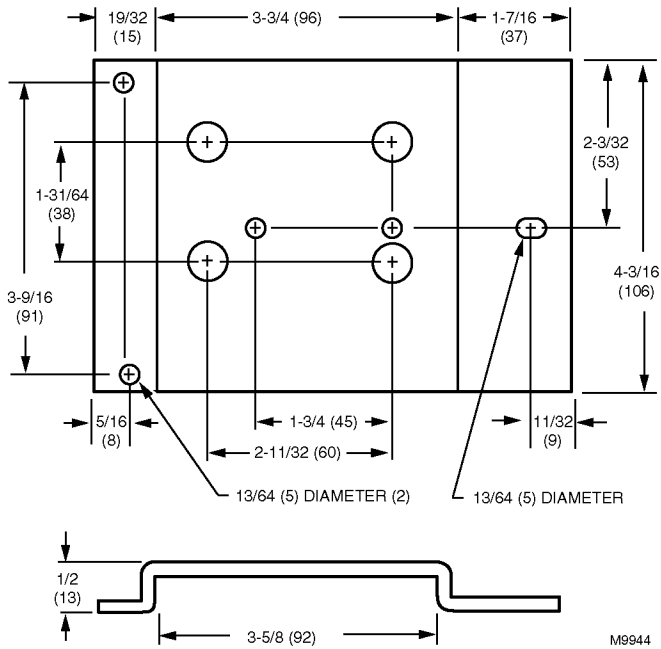


Fig. 2. 128336, 128499 Mounting Brackets dimensions in in. (mm).

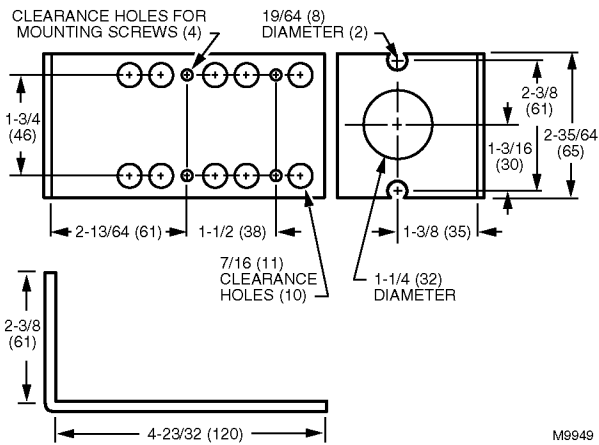


Fig. 3. 126809 Bracket dimensions in in. (mm).

## INSTALLATION

### When Installing this Product...

- 1 Read these instructions carefully. Failure to follow them could damage the product or cause a hazardous condition.
- 2 Check the ratings and descriptions given on the product to make sure the product is suitable for your application.
- 3 Installer must be a trained, experienced service technician.
- 4 After installation is complete, check out product operation as provided in this specification.

## CAUTION

1. Disconnect power supply before installation to prevent electrical shock or equipment damage.
2. To prevent damage to the gear train, never turn the motor shaft by hand or with a wrench.
3. Do not install the actuator in areas with acid fumes or other deteriorating vapors that might attack the metal parts of the motor.
4. Do not install the actuator in areas with escaping gas or other explosive vapors that could be ignited by a spark from the actuator or attached accessories.

## Location and Mounting

### IMPORTANT

Mount M436 and M836 Damper Motors with the shaft in the horizontal position.

Install the motor in a location free from acid fumes or other deteriorating vapors that might attack the metal parts of the motor. Also, make sure the location is free from escaping gas or other explosive vapors that could be accidentally ignited by a spark from the motor or its attached parts.

Install the motor in a location that allows enough clearance for mounting accessories and for servicing.

Mounting brackets and crankarm drives are furnished with TRADELINE® models of these motors or can be ordered separately if required for the installation. Refer to the Accessories section for specifications, Fig. 2 and 3 for dimensions, and Fig. 4 through 7 for installation drawings.

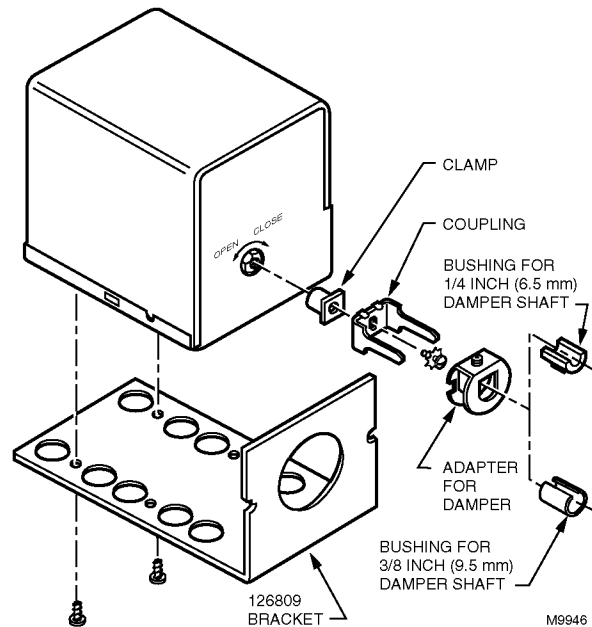
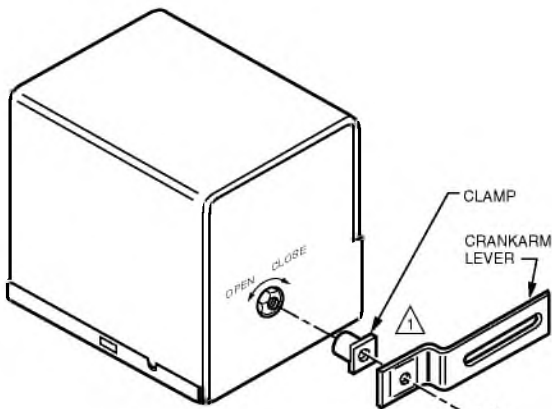
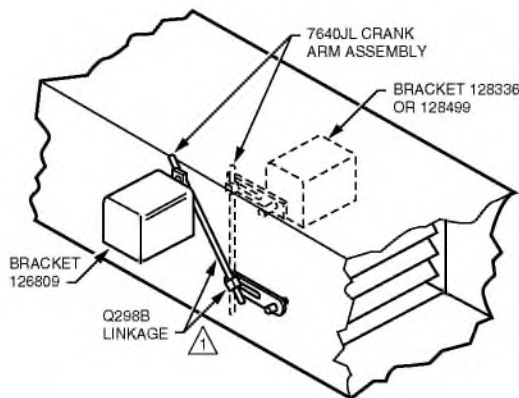


Fig. 4. Exploded view showing how to mount 7640JE Damper Shaft Coupling and 7640JM Mounting Bracket Assembly to motor.



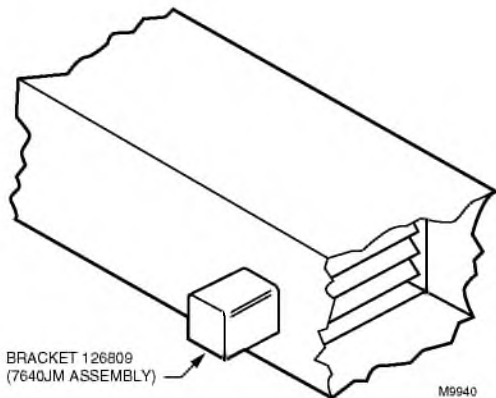
⚠ CLAMP AND CRANKARM LEVER ARE DESIGNED TO FIT TIGHTLY TOGETHER. IF NECESSARY, TAP THESE PARTS TOGETHER PRIOR TO MOUNTING ON MOTOR TO ENSURE TIGHTNESS. M9945

**Fig. 5. Exploded view showing how to mount 7640JL Crankarm Assembly to motor.**



⚠ ASSEMBLE 7640JL CRANK ARM ASSEMBLY TO MOTOR AND Q298B LINKAGE TO DAMPER. ADJUST LENGTH OF STEEL ROD AS NECESSARY. ONE Q298B CRANK ARM IS NOT NECESSARY AND MAY BE DISCARDED. M9941

**Fig. 6. Offset mounting with 7640JL Crankarm Assembly and Q298B Linkage.**



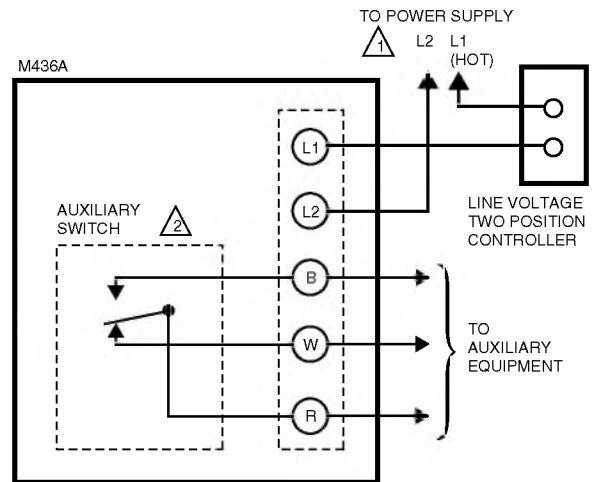
**Fig. 7. Damper motor directly coupled to damper using 7640JM Mounting Bracket Assembly and 7640JE Drive Coupling Assembly.**

**Wiring**

**⚠ CAUTION**

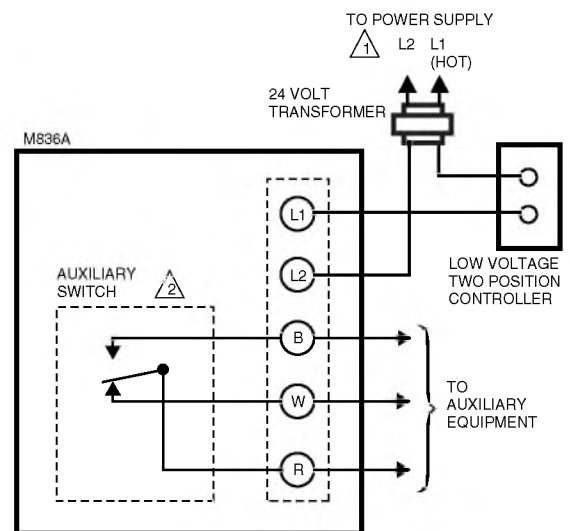
Disconnect the power supply before wiring to prevent electrical shock or equipment damage.

Disconnect the power supply before beginning wiring to prevent electrical shock or equipment damage. All wiring must comply with local electrical codes, ordinances and regulations. Refer to Fig. 8 and 9 for typical hookup diagrams and to information furnished with the system equipment.



⚠ PROVIDE DISCONNECT MEANS AND OVERLOAD PROTECTION AS REQUIRED.  
 ⚠ MAKES R TO B DURING MOTOR POWER (OPEN) STROKE. M9942

**Fig. 8. Typical wiring diagram for M436 Damper Motor.**



⚠ PROVIDE DISCONNECT MEANS AND OVERLOAD PROTECTION AS REQUIRED.  
 ⚠ MAKES R TO B DURING MOTOR POWER (OPEN) STROKE. M9948

**Fig. 9. Typical wiring diagram for M836 Damper Motor.**

## ADJUSTMENT AND CHECKOUT

### Auxiliary Switch Adjustment

Adjust the internal spdt auxiliary switch of the M436/M836 Damper Motor to operate at any point between 5 degrees and 70 degrees of the motor stroke. The switch has a 1 to 2 degree nonadjustable differential. The switch makes R to B contact during the power stroke (motor shaft moves in the direction of the OPEN arrow on the outside of the case).

Apply power to the motor so that the motor runs to the OPEN position. Note the point of the motor stroke where the switch operates (audible click or check for continuity across the R to B terminals) If the switch operates correctly for the application, proceed to check out the installation. If the switch needs to be adjusted, perform the following steps:

- 1 Determine the number of degrees that the switch cam must be adjusted to operate the switch at the desired point of the motor stroke.

#### IMPORTANT

*Do not adjust switch to operate closer than five degrees from the ends of the motor stroke.*

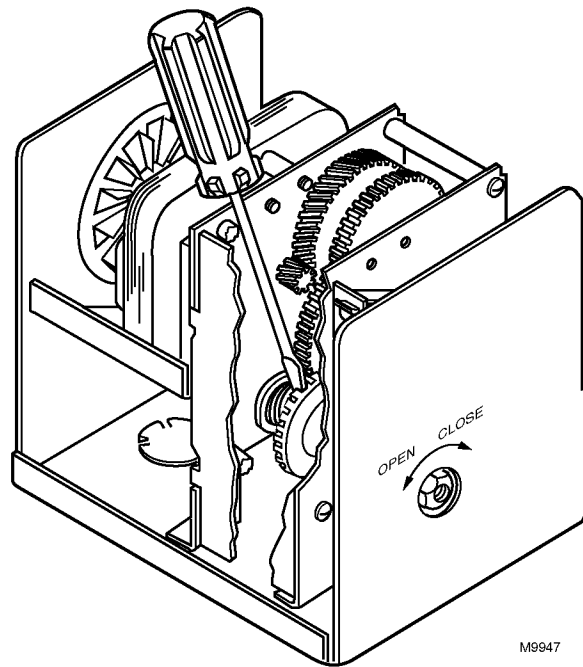
- 2 Remove the motor cover.

### CAUTION

To prevent electrical shock or equipment damage, disconnect the power supply before adjusting the switch cam.

- 3 Insert a narrow bladed common-point screwdriver in a slot in the switch cam (white plastic) located near the center of the motor. Refer to Fig. 10. Each slot in the cam equals approximately 20 degrees of motor rotation.
- 4 Select a reference point and move the cam the correct number of degrees, as follows:
  - a. To adjust the switch to operate nearer the open (maximum rotation) motor position, move the cam in the direction of the CLOSE arrow on the outside of the motor case.
  - b. To adjust the switch to operate nearer the closed motor position, move the cam in the direction of the OPEN arrow on the outside of the motor case.

Repower the motor and check the point at which the switch makes and breaks. Readjust as necessary.



M8947

Fig. 10. Using screwdriver to adjust auxiliary switch cam.

### Checkout

Operate the motor through the complete open-close stroke. Be prepared to release one of the previously tightened linkage connections, if necessary, to prevent damage. Check for proper operation, making sure that the linkage does not bind and that the motor travels smoothly through the fully open and fully closed positions. Cut any excess linkage rod length to the correct size.

Make necessary minor adjustments until desired operation is obtained and tighten all nuts and setscrews. A motor checkout should prove that:

- 1 The motor operates the load.
- 2 The motor responds properly to the controller.
- 3 There is no linkage binding or motor stalling at any point of travel.

If the motor does not operate properly, check for proper voltage or mechanical linkage or damper binding.

## Lubrication

To assure long motor life, annually lubricate the felt pads located on each of the motor bearings and on the two shafts in the gear train. See Fig. 11. Use Anderol® 465 Oil or an

equivalent. Light sewing machine oil is an acceptable equivalent. *Do not over lubricate. One drop at each lubrication point is sufficient.*

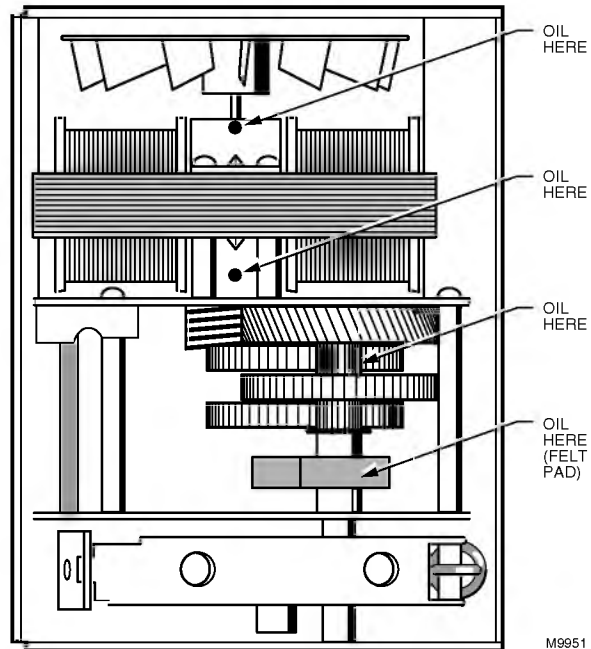


Fig. 11. M436/M836 Damper Motor lubrication points.

**Honeywell**

---

**Automation and Control Solutions**

Honeywell International Inc.    Honeywell Limited—Honeywell Limitée  
1985 Douglas Drive North    35 Dynamic Drive  
Golden Valley, MN 55422    Scarborough, Ontario M1V 4Z9

